

**eFoto**

# Photo CD Recorder

Savoring every precious moment

## INSTRUCTION MANUAL



**Procare®**

**Procare International Co.  
Procare Technology Corp.**

11F-6, 410, Sec. 5, Chung Hsiao E. Rd.,  
Taipei, Taiwan, R.O.C.

Tel : +886-2-2722 5067 Fax : +886-2-2729 0009

E-mail : [procare.intl@msa.hinet.net](mailto:procare.intl@msa.hinet.net)

[tprocare@ms43.hinet.net](mailto:tprocare@ms43.hinet.net)

[www.procare.com.tw](http://www.procare.com.tw)

# EF-6068

**eFoto**  
Photo CD Recorder

# Instruction Manual

**EF-6068**

## Photo CD Recorder

### *The Digital Photo Storage and Sharing Revolution*

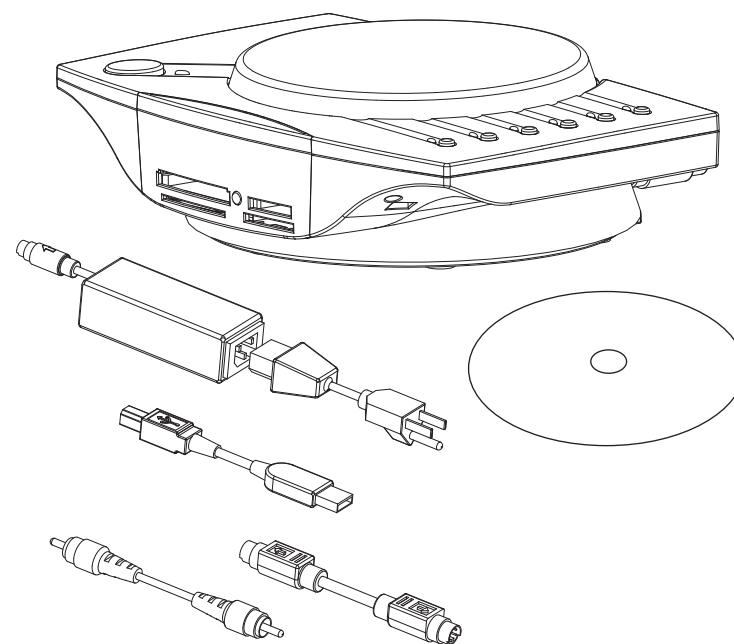
Stand-alone device for storing photos on a DVD-playable CD. World's only true "100% PC-free" digital photo album maker.

### Contents

• Product Packaging List .....	01
• Warranty Policy	
• Caution	
• Checking the Contents of the Package .....	02
• Main Specifications .....	03
• Top View .....	04
• Front View	
• Back View .....	05
• Operational Steps for Creating a DVD Playable Disc .....	06
• Operational Options .....	07
• System Information & Operation .....	08
• Compatible files	
• Image Storage Capacity .....	09
• Trouble Shooting & Maintenance	
• Compatibility List .....	10
• Reference to Average Burning Time .....	11

## ➤ Product Packaging List

- eFoto Main Body x1
- Power Plug Cord x1
- Power Adaptor x1
- USB cable x1
- S-Video cable x1
- Nero x1



All products company names and trademarks found in this document are the properties of their respective owners.

## ❖ Warranty Policy

Products purchased through authorized distribution channels are guaranteed against defects of material or workmanship for a period of twelve months from the date of purchase. Service will be rendered, and defective parts will be replaced without cost to you within that period, provided the equipment does not show evidence of impact, sand or liquid damage, mishandling, tampering, chemical corrosion, operation contrary to operation instructions, or modification by unauthorized repair shop.

The manufacturer or its authorized representatives shall not be liable for any repair or alternations except those made within its written consent and shall not be liable for damages from delay or loss of use or from other indirect or consequential damages of any kind, whether caused by defective material or workmanship or otherwise; and it is expressly agreed that the liability of the manufacture or its representatives under all guarantees or warranties, whether expressed or implied, is strictly limited to the replacement of parts as herein before provided.

## ❖ Caution

- Do not attempt to disassemble the product or any of its parts to avoid danger of electric shock or unrepairable damages to the circuit.
- Use an adapter that is of the power and voltage specified for exclusive use with this product. The use of an AC adapter other than that exclusively meant for use with this product may cause fire or electric shock.
- Do not attempt to clean the eFoto or its equipment when the power is still on. Unplug the product from mains to avoid electric shocks.
- Operating temperature is best at around room temperature (20-30 C) to achieve optimum performance. Do not place eFoto in extreme environments for long periods of time, this could lead to loss of operation or performance.
- When eFoto is not in use, please turn it off to prolong the life of the product and also save energy.
- If the inside of the camera should become exposed as a result of, for example, the camera being dropped, please do not under any circumstances touch such exposed portions as there is a danger of receiving an electric shock.

## ❖ Checking the Contents of the Package

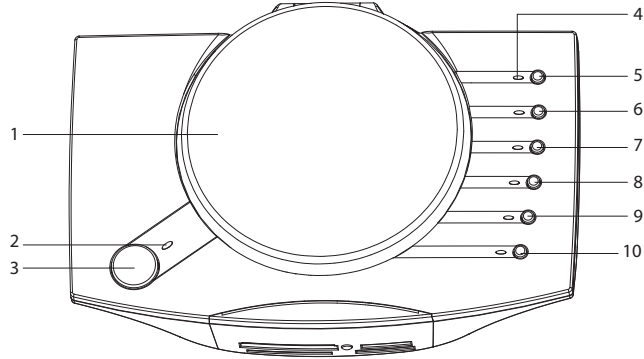
- eFoto
- Power Plug Cord 100-240 V
- Power Adapter
- USB Cable
- S- Video Cable
- Nero burning software

## ❖ Main Specifications

CPU	EDP 405 Central Processor
Memory	Flash ROM SDRAM
I/O Port	16XCD-ROMX1 *Compact Flash Type I/III (Micro Drive) memory card slot Smart Media memory card slot **Memory Stick memory card slot *** Secure Digital. Multi- Media Card memory card slot USB
Video Output Port	S-VideoX1 RCAX1
Operating Function	Quick Functional Buttons Disc Change Button Power ON/OFF PAL/ NTSC Switch S- Video/RCA SwitchX1 LED System Lighting
Power Supply	Power Adapter Input: 110-240V AC 50/60Hz 2A
Dimension	L 228mm x W 160mm x H65mm
Weight	Approx 684g

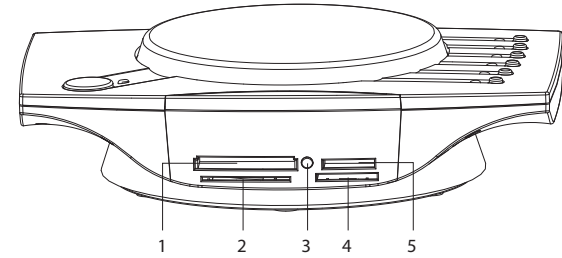
©Note: \* With optional Adapter can support xD memory  
 \*\* With optional Adapter can support Memory Stick Duo  
 \*\*\* With optional Exculpatory can support Mini- SD

➤ Top View



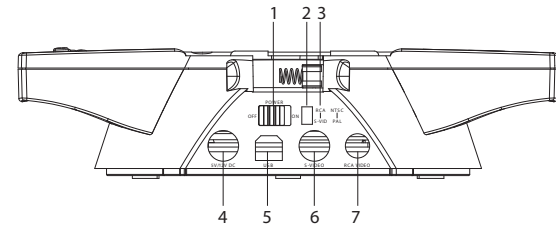
1. CD-ROM Drive:16 Speed Limit
2. Open CD- ROM Drive Status Light,  
Green for Working; Yellow for CD-Rom Busy
3. Opening Button
4. LED Lighting Panel
5. DVD Playable Button
6. Multi-session Button
7. Photo View Buttons
8. Erase Button
9. Verify Button
10. Stop Button

➤ Front View



1. Compact Flash/ Micro Drive Memory Card Slot
2. Smart Media Memory Card Slot
3. Card Slot Status Lamp: Green= OK. Red= reading the card.
4. Secure Digital/ MMC Memory Card Slot
5. Memory Stick Card Slot

➤ Back View



1. Power ON/OFF
2. RCA/S-Video Switch
3. PAL/NTSC switching panel
4. Power Input Terminal
5. USB Terminal
6. S-Video Terminal
7. RCA Terminal

## ⚙️ Operational Steps for Creating a DVD Playable Disc

### First Step: Setting Up eFoto

1. Connect the power to mains and eFoto. Green light should appear on the adapter.
2. Before turning eFoto on, at the back of the product is one set of switches, one is for NTSC/ PAL image output ( DVD Playable mode at relevant region), the other is for S-Video/Composite Video output (Photo Viewer mode depending on available socket on TV). Adjust these two switches to own particular need or preferences.
3. Turn on eFoto by switching the ON/ OFF at the back of eFoto. Green light should appear on the LED lighting panel.

### Second Step: One-step CD Buring

1. Place the relevant memory card into the eFoto provided slot. (Do not to force the memory card too hard, it might damage the pin inside the socket.)
2. Press the Change Disc button to open the hatch, then insert an empty CD-R or CD-RW into the drive. Make sure that the CD is resting securely. Close hatch.
3. Press the DVD playable button to start the burning sequence. When in operation the LED light panel on the right will become yellow.
4. When "DVD Playable" and "Change Disc" lights flash green, burning sequence is complete. Press Change Disc button to release the hatch and remove the CD.

### Third Step: View or Share the Disc with family or friends

1. Place the DVD playable disc into any DVD player. A few seconds later, an eFoto specific menu will appear on TV screen. Choose to view individual pictures by entering browse, or if no action is taken, 15 seconds later, eFoto is programmed to play pictures automatically.
2. Menu can be controlled by using the DVD player's remote control. A help guide is in the menu to provide guidance in navigating pictures.
3. This disc can also be sent to family or friends, sharing the memories and fun with them. The disc can also be used to order prints from photo-printing shops.

## ⚙️ Operational Options

To make the burning process as easy as possible, eFoto has incorporated an easy lighting recognition design. Green light mean this particular operation is available . Yellow light means eFoto is in operation, Red light means irregular operation.

1. DVD Playable Mode: This operation will allow the disc to be viewed on any DVD player with a eFoto's patented organized menus. The disc can also be played on any PC or Notebook or taken into shops for re-prints. When this mode of operation is chosen, the CD can not be used to burn any additional photos onto it. The limit of photos that can be stored in this mode is 135 photos.
2. Multi-Session Mode: Can be used as a back-up or storage function. If this operation is chosen, then the disc can only be viewed in those players that are JPEG readable . Viewing is also possible on PC or Notebook as well as re-printing in shops.
  - Place empty disc in the eFoto drive, close hatch.
  - Press Multi-Session button to begin this burning mode.
  - When finished, the LED light by the Multi-Session button will appear green. Open the hatch by pressing the Change Disc button to remove the CD.
  - More pictures can be burned onto the CD-R or CD-RW until the disc is full.
3. Photo-View Mode: Please connect eFoto to TV via the S-Video lead provided in the package or with an RCA lead. This operation will allow viewing of pictures whether it is an the memory card in the eFoto or on the disc in eFoto. eFoto will choose to play the picture file that is on the memory card before the disc.
  - Plug the relevant S- Video or Composite Video lead to the TV and eFoto.
  - Place the memory card or CD into eFoto.
  - Press Photo-View button to operate this mode. Picture should appear on the TV screen for viewing.
  - To view a series of photos on the memory card or disc, eFoto's panel has "Play/ Pause", "Previous" or "Next" to control the picture viewing. Rotation feature is also available on the eFoto Panel.
  - If you do not wish to continue the Photo-Viewing mode, press the Stop button on eFoto.

4. Verify Mode: Checking whether the disc's stored information is readable.
  - Place in disc that will be checked.
  - Press the Verify button to start the checking sequence. Yellow light should appear next the the Verify button.
  - When light appears green, the checking sequence is now complete, the disc is readable.
5. Erase Mode: This operation will allow deleting of picture files on the CD-RW disc.
  - Place the CD-RW disc into eFoto.
  - Press the Erase button, hold it for three second to begin the deleting process.
  - When green light appears next to the Erase button, erasing of data is now complete. Disc can now be removed or used for other eFoto functions.
6. USB Mode: This function allows the eFoto to act as a external CD-ROM drive via USB lead to a PC or Notebook.
  - Link to PC or Notebook via USB lead provided.
  - If eFoto is not being used in the above four modes of operation, the system will automatically switch to USB mode, the yellow light will appear by the Stop button side light signal.
  - eFoto can now be used as an external CD- ROM drive or act as a card reader.
  - To exit the USB mode, remove via Window program operation (Removing Hardware) or unplug the USB lead from computer.

## ➤ System Information & Operation

LED light and its uses:

1. Burning in progress: When in burning mode (DVD-Playable and Multi-Session), the light on the right hand side of the panel will flash yellow. Six lights will flash to determine the progress of the burning sequence. i.e. When only one sixth of the picture is recorded onto disc, only the light by the stop button will appear and will increase in light as more of the picture is burned onto the disc until finished operation.

Backup Coverage:

1. When in Multi-Session mode, all data will be stored by eFoto, including JPEG and non-JPEG files.
2. When in DVD Playable mode, all JPEG files will be stored first. When all JPEG files are stored, non-JPEG files will then be stored.

Others:

1. In Burning mode (DVD-Playable and Multi-Session), file volume that exceeds the limit of the disc is not stored.
2. eFoto can be used to burn all JPEG files. Files that are processed by photo programs ( Progressive JPEG) are currently not supported by eFoto.
3. When in "DVD-Playable", "Multi-Session", "Erase" or "Verify" mode, Stop operation can not be used.
4. Do not attempt to remove the memory card when in burning mode, damage could occur in the system.
5. When in DVD-Playable mode, eFoto will convert JPEG files to files that can be viewed on DVD players. At the same time, original JPEG files will also be stored.
6. If the memory card is removed while in burning mode, the burning function will not halt. However, this could cause unexpected errors.
7. In DVD-Playable mode, eFoto will convert JPEG file to a specific format that can be viewed on a DVD player. Original JPEG files will also be stored. If there is no JPEG file within the memory card, eFoto will backup the original data.

Backup Spanning:

1. If the memory card file volume exceeds that of the disc, eFoto will allow spanning of data to multiple discs. This means when the first disc is full of files, the system will ask the user to replace the disc with an empty disc to continue file transfer ( flashing yellow light will appear instead of the green light).
2. DVD-Playable mode and Multi-Session mode can not be cross used.
3. When in backup spanning operation, during the change of disc, user can press the stop button to determine the file burning process. But system will not remember those files that have already been burned to disc, so next time backup spanning operation is chosen, system will backup the file from the beginning.

## ➤ Compatible files

Under DVD-Playable mode, the only file that is viewable via the DVD Player is JPEG- Baseline files which include 4-4-4, 4-2-2, 4-1-1.

## ➤ Image Storage Capacity

Under DVD-Playable mode, the largest tested size of image viewable via DVD Player is 16M 4000X4000 Pixels.

## ❖ Trouble Shooting & Maintenance

Regularly clean the lens with a Lens Cleaner to keep eFoto operation at optimum.

## ❖ Compatibility List

eFoto is designed to work with mass-storage cameras. The cameras below are tested and known to work with eFoto.

- Canon EOS-10D
- Canon Powershot A80
- Canon Powershot s30
- Canon Exilim S3
- Casio QV-R40
- Fuji Finepix 2600
- Fuji Finepix s7000
- HP Photosmart 850
- Kodak DCS 14n
- Kodak DCS SLRc
- Kodak DX7630
- Konica Minolta DiMAGE A2
- Minolta Dimage Z1
- Nikon Coolpix 8700
- Nikon D100
- Nikon Coolpix 800
- Olympus C-8080 Wide Zoom
- Olympus E1
- Olympus c5000z
- Panasonic DMC-FZ1
- Sony DSC F828
- Sony DSC U10
- Sony DSC U60
- Sony DSC P5

Contact your camera manufacturer to determine if your camera is JPEG- baseline compatible. We will also provide a constant update on the company website on the compatible cameras.

## ❖ Reference to Average Burning Time

DVD-playable mode tested average burning time:

Pictures	Data Sizes	4X CD-RW	10X CD-R
24	18 MB	04:07	04:03
36	27 MB	05:34	04:45
72	54 MB	08:40	08:23
108	80 MB	12:03	12:03
24	32 MB	04:33	04:28
36	48 MB	05:46	05:03
72	95 MB	09:48	08:52
108	142 MB	14:02	14:25

Multi-Session mode tested average burning time:

Pictures	Data Sizes	4X CD-RW	10X CD-R
24	18 MB	02:07	01:05
36	27 MB	02:38	01:15
72	54 MB	03:07	01:36
108	80 MB	04:16	01:56
24	32 MB	02:02	01:18
36	48 MB	02:50	01:45
72	95 MB	03:57	02:59
108	142 MB	05:49	05:28